

Printer Connection

**Table 10-6: DB-25
Printer Pins**

Pin	Description
1	Strobe
2	Data bit 0
3	Data bit 1
4	Data bit 2
5	Data bit 3
6	Data bit 4
7	Data bit 5
8	Data bit 6
9	Data bit 7
10	Acknowledge
11	Busy
12	Out of paper
13	Select
14	Auto feed
15	Error
16	Initialize printer
17	Select input
18	Ground
19	Ground
20	Ground
21	Ground
22	Ground
23	Ground
24	Ground
25	Ground

Printer Connection

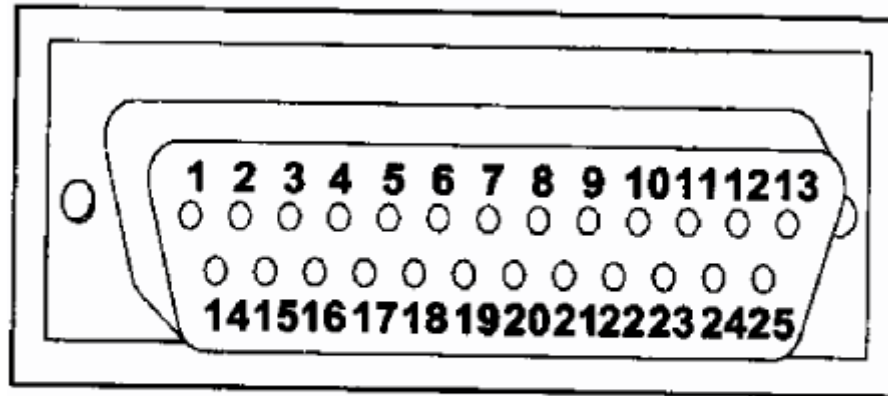


Figure 10-8. DB-25P (Male) Printer Connector
(Reprinted by permission from "IBM Technical Reference" c. 1988
by International Business Machines Corporation)

IO Base Address for LPT

- **-d 0040:0008**
- **LPT: 03BC, 0378, 0278**
- **3 I/O ports**
 - LPT data lines
 - LPT status lines
 - LPT control lines

Table 10-7: BIOS I/O Base Addresses for LPT

I/O Base Address	LPT
0040:0008 - 0040:0009	LPT1
0040:000A - 0040:000B	LPT2
0040:000C - 0040:000D	LPT3
0040:000E - 0040:000F	LPT4

Table 10-8: IBM PC Printer Ports and Their Functions

Line Printer	Data Port (R/W)	Status Port (Read Only)	Control Port (R/W)
LPT 1	03BCH	03BDH	03BEH
LPT 2	0378H	0379H	037AH
LPT 3	0278H	0279H	027AH

Printer's Ports

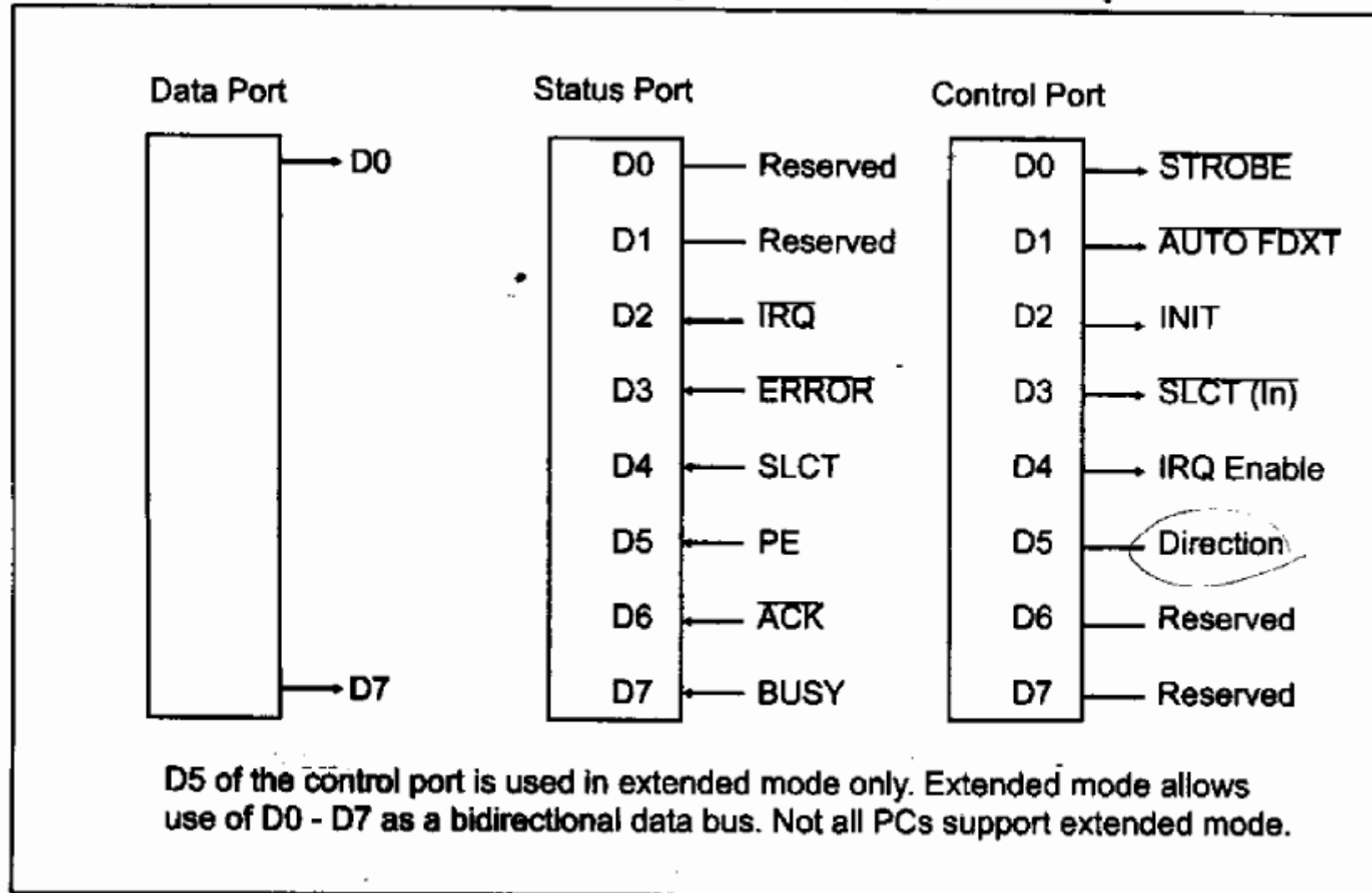


Figure 10-9. Printer's Data, Status, and Control Ports